

# plastpro

5200 W. CENTURY BLVD.  
LOS ANGELES, CA 90045

**Smooth / Wood Grain / White Wood Grain  
Rustic / Mahogany  
Series N Fiberglass Door  
IN SWING / OUT SWING  
"NON-IMPACT"**

GENERAL NOTES

1. This product has been evaluated and is in compliance with the 2010 Florida Building Code (FBC) structural requirements excluding the "High Velocity Hurricane Zone" (HVHZ).
2. Product anchors shall be as listed and spaced as shown on details. Anchor embedment to base material shall be beyond wall dressing or stucco.
3. When used in areas requiring wind borne debris protection this product is required to be protected with an impact resistant covering that complies with Section 1609.1.2 of the FBC.
4. For 2x stud framing construction, anchoring of these units shall be the same as that shown for 2x buck masonry construction.
5. Site conditions that deviate from the details of this drawing require further engineering analysis by a licensed engineer or registered architect.

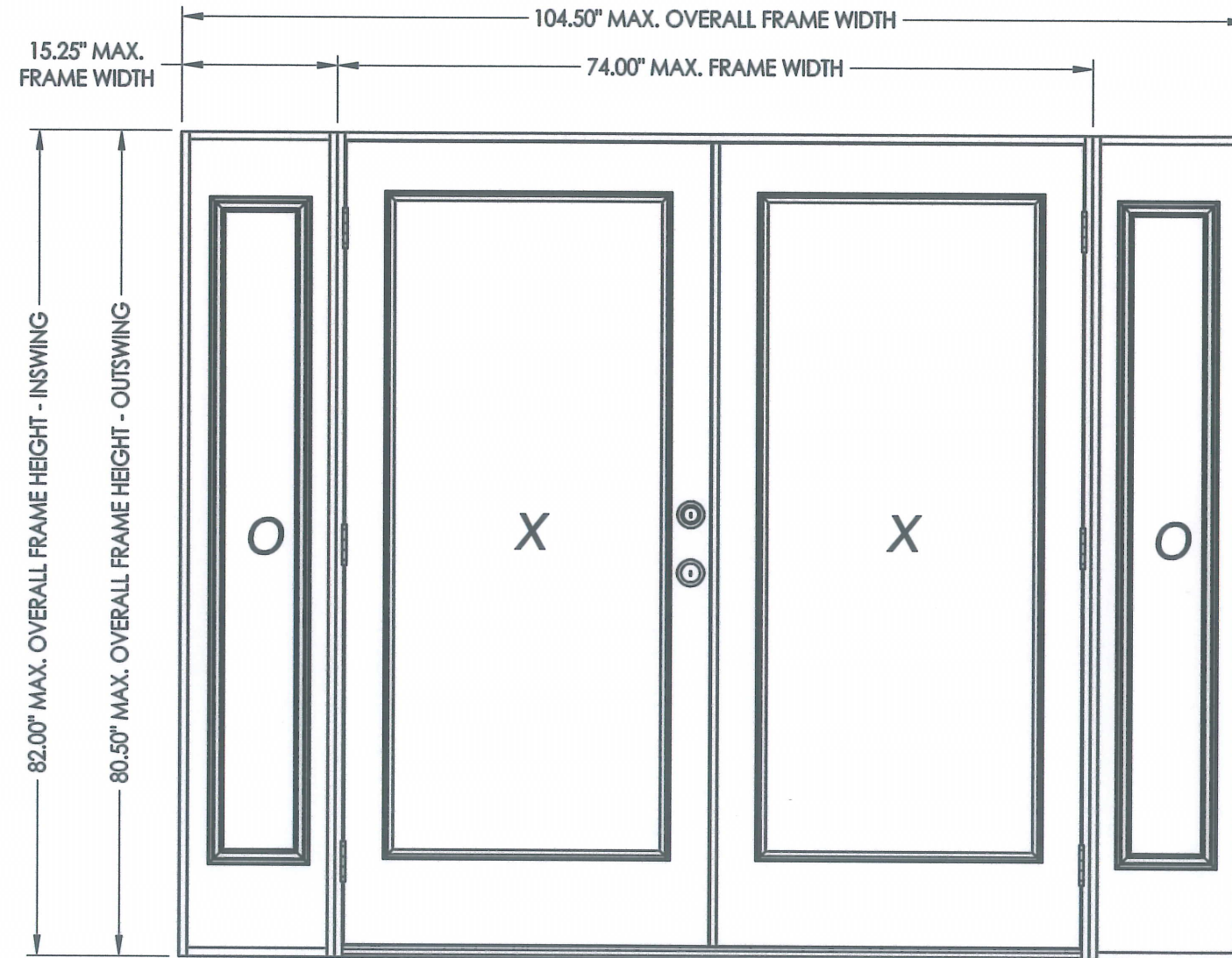


TABLE OF CONTENTS	
SHEET #	DESCRIPTION
1	Typical elevation, design pressures, & general notes
2	Door panel details
3	Sidelite panel details
4	Horizontal cross sections
5	Vertical cross sections
6	Vertical cross sections
7	Buck anchoring
8	Frame anchoring - 2X buck masonry construction
9	Frame anchoring - 1X buck masonry construction
10	Endura astragal details
11	Bill of materials, glazing detail & components

SWING	OVERALL FRAME DIMENSION	DOOR D.L.O. DIMENSION	SIDELITE D.L.O. DIMENSION	GLASS TYPE	DESIGN PRESSURE (PSF)	
					POSITIVE	NEGATIVE
IN SWING	104.50" x 82.00"	21.00" x 63.00"	7.00" x 63.00"	G1	+47.0	-47.0
OUT SWING	104.50" x 80.50"	21.00" x 63.00"	7.00" x 63.00"		+47.0	-47.0

Documents Prepared By:

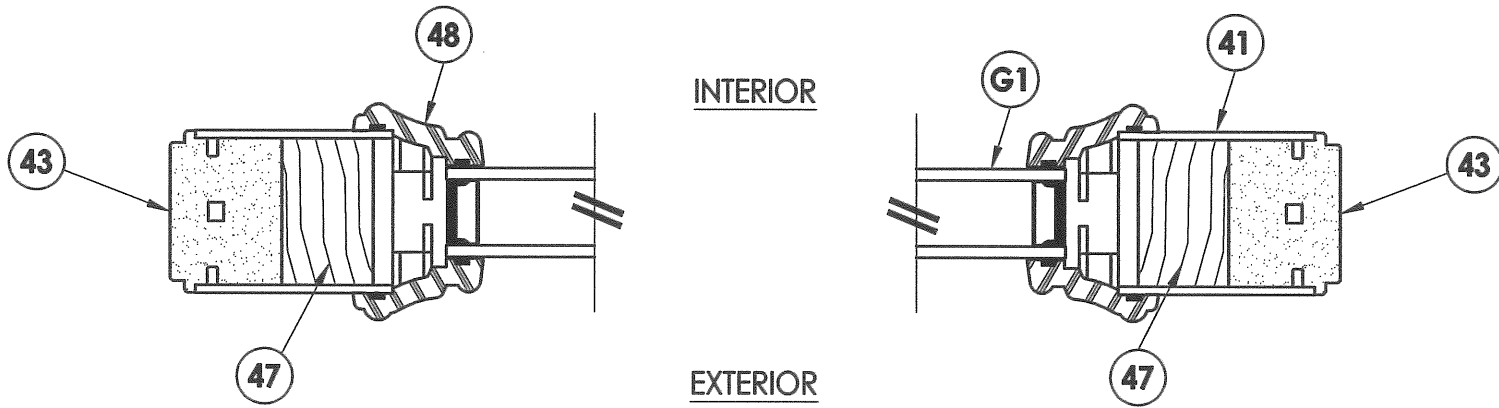
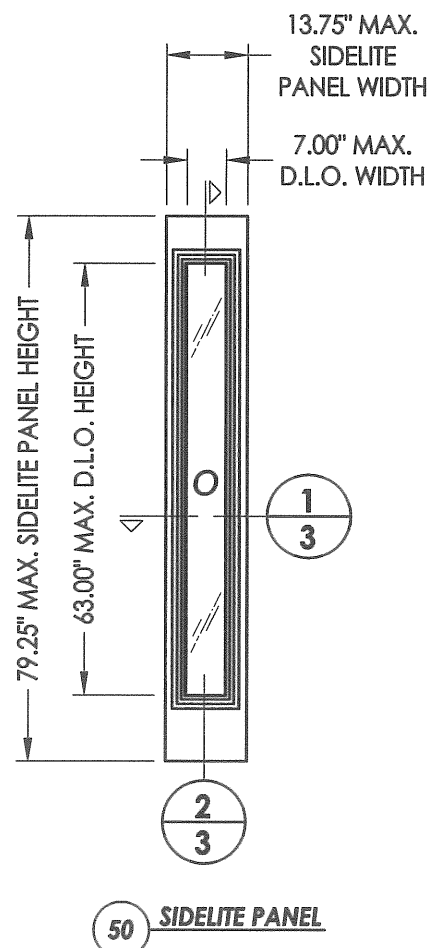
**RW** BUILDING CONSULTANTS, INC.  
P.O. Box 230 Valrico FL 33595  
Phone No.: 813.659.9197  
Florida Board of Professional Engineers  
Certificate Of Authorization No. 9813  
178 2-0-12  
Lynden F. Schmidt, P.E. No. 43409

PRODUCT: PLASTPRO INC. FIBERGLASS DOOR  
PART OR ASSEMBLY: TYPICAL ELEVATION, DESIGN PRESSURES & GENERAL NOTES

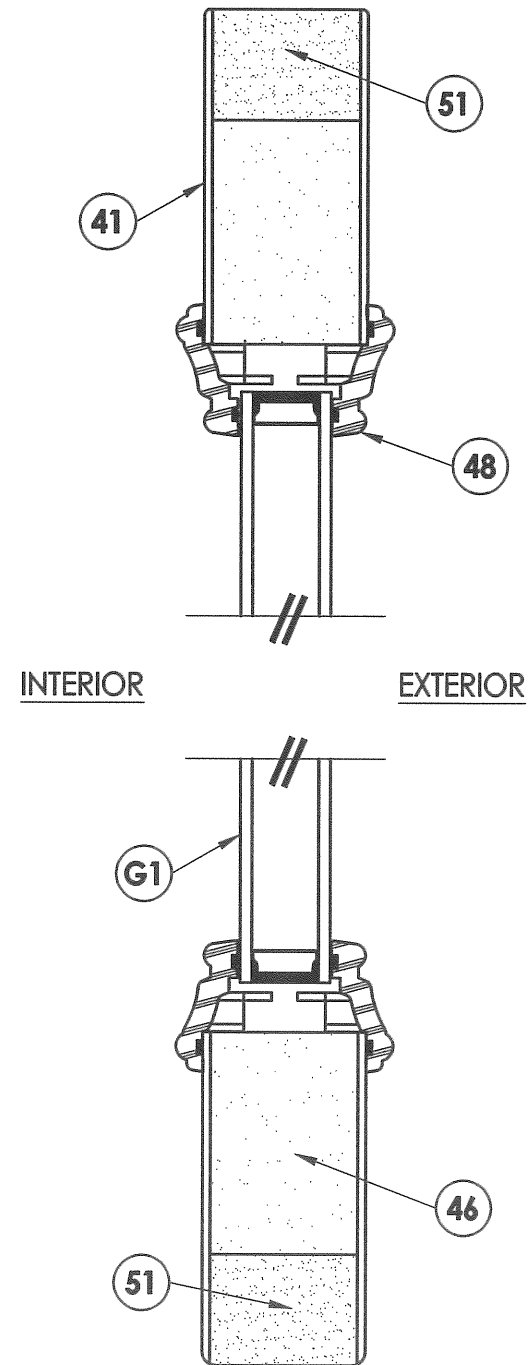
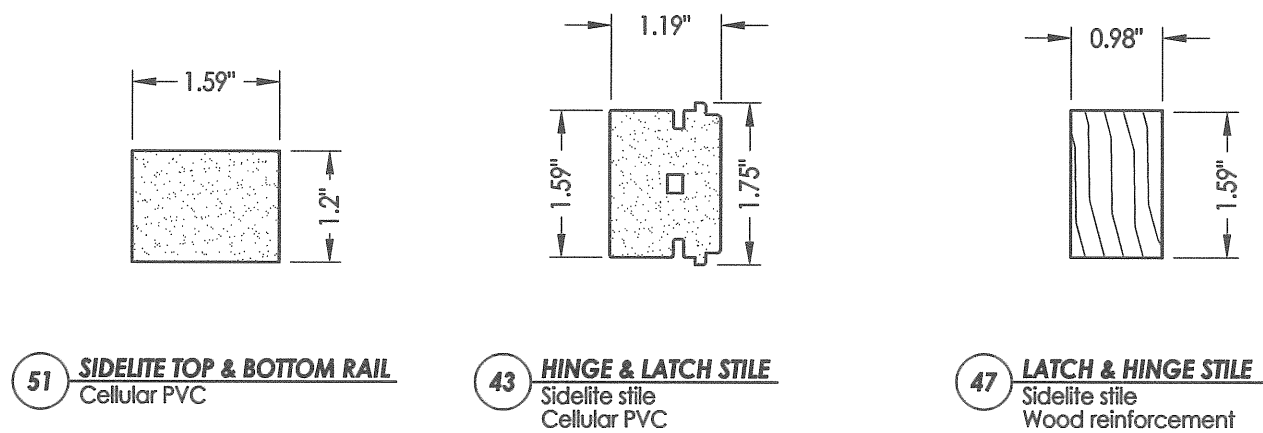
NO.	DATE	BY	REVISIONS

DATE: 02/16/12  
SCALE: N.T.S.  
DWG. BY: JK  
CHK. BY: LFS  
DRAWING NO.: FL-15213.13  
SHEET 1 OF 11





**1**  
**3** HORIZONTAL CROSS SECTION



**2**  
**3** VERTICAL CROSS SECTION

PRODUCT:

PLASTPRO INC.  
FIBERGLASS DOOR

PART OR ASSEMBLY:

SIDELITE PANEL DETAILS

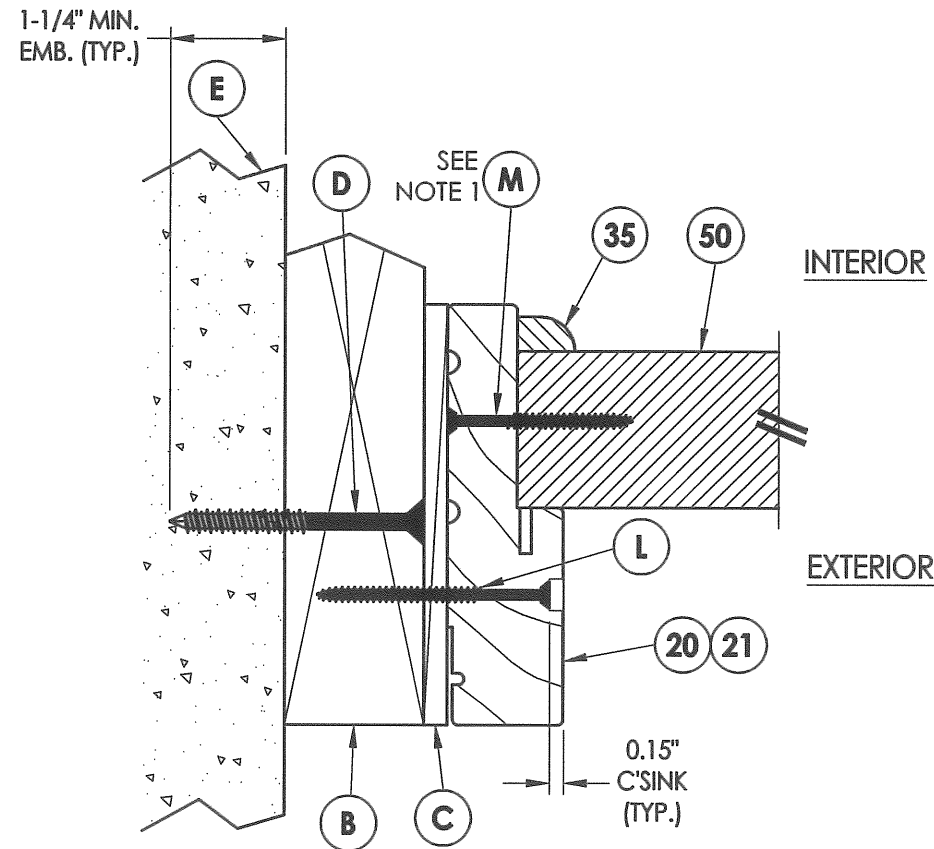
NO.	DATE	REVISIONS	BY

DATE: 02/16/12  
SCALE: N.T.S.  
DWG. BY: JK  
CHK. BY: LFS  
DRAWING NO.: FL-15213.13  
SHEET 3 OF 11

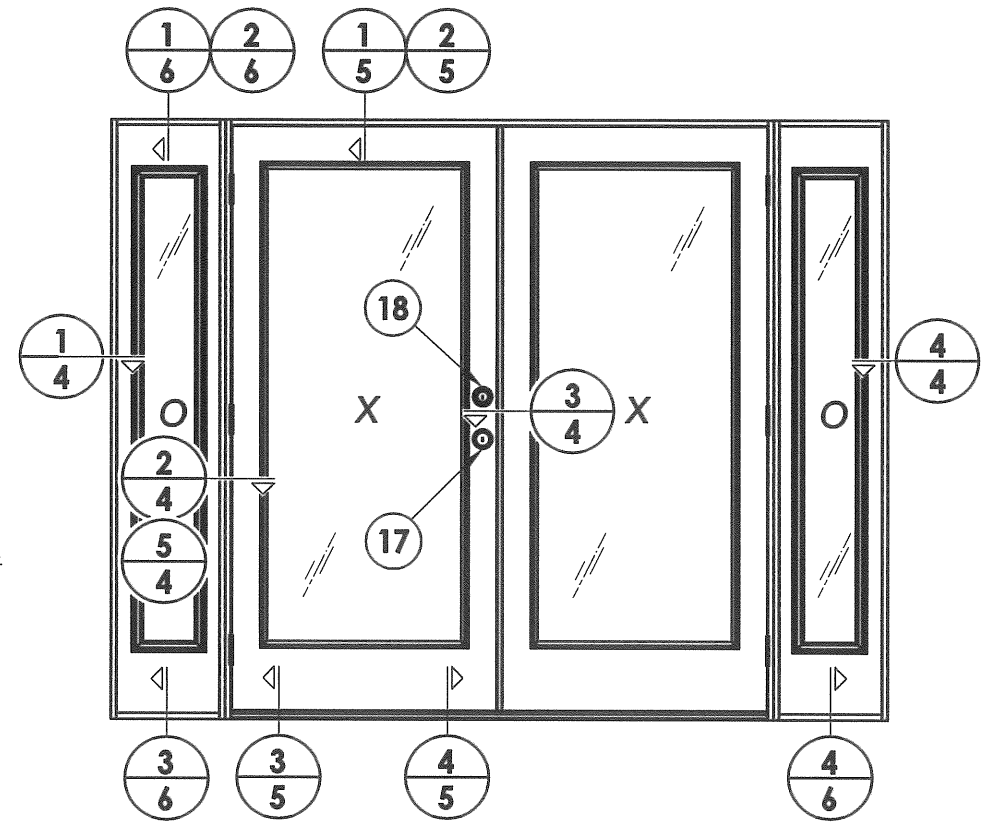
Documents Prepared By:

**RW** BUILDING CONSULTANTS, INC.  
P.O. Box 230 Vairico FL. 33595  
Phone No.: 813.659.9197  
Florida Board of Professional Engineers  
Certificate Of Authorization No. 9813  
Lyndon F. Schmidt, P.E. No. 43409

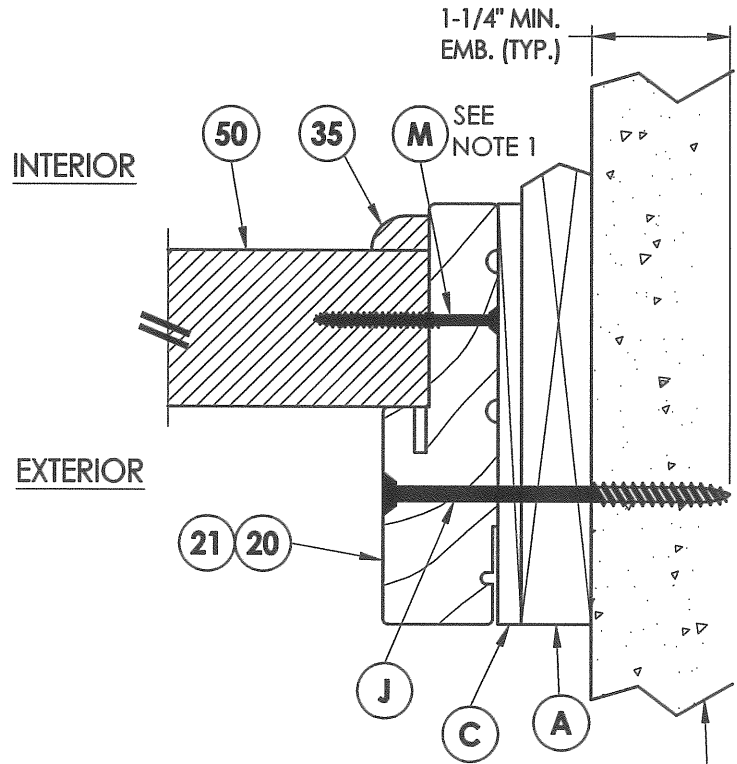
R:\A - Projects\Project Folders\proj 1501 - 1600\PF 1587\D. RWBC Drawings\2010\FL-15213.12-18.dwg, 4.13



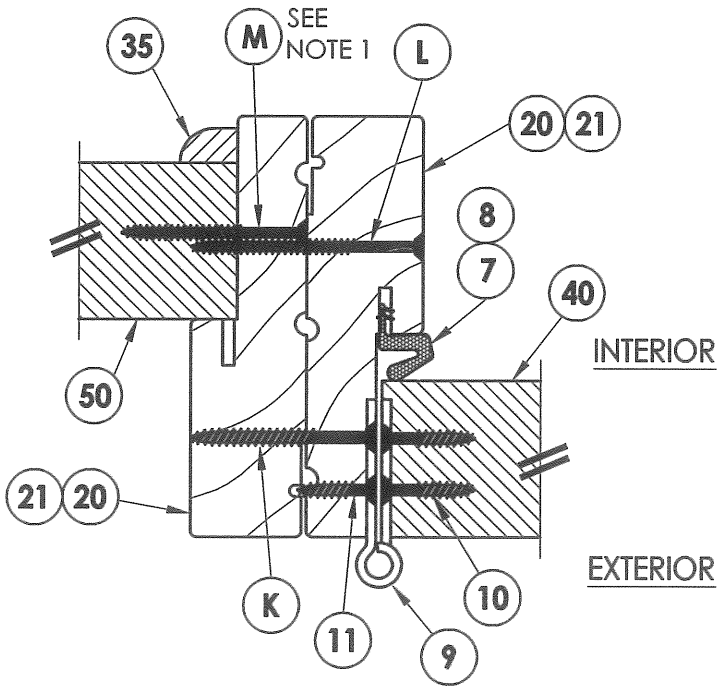
**1** HORIZONTAL CROSS SECTION  
**4** Outswing shown - inswing also approved



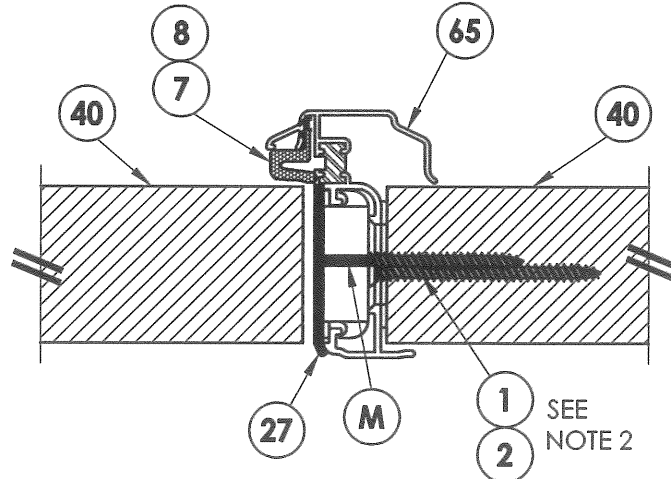
NOTE:  
 1. Sidelite panel secured to the sidelite frame with (4) of item #M located 10", 30.5", 51" and 71.5" from top of each jamb and (2) of item #M in the head and sill 3" from each end.  
 2. As noted in the test report astragal was attached to the inactive leaf with (10) #8 x 3" psh sms and (4) #10 x 2-1/2 pfh sms for all 6'-8" (outswing). Astragal was attached to the inactive leaf with (9) #8 x 3" psh sms and (4) #10 x 2-1/2" pfh sms for all 6'-8" (inswing).



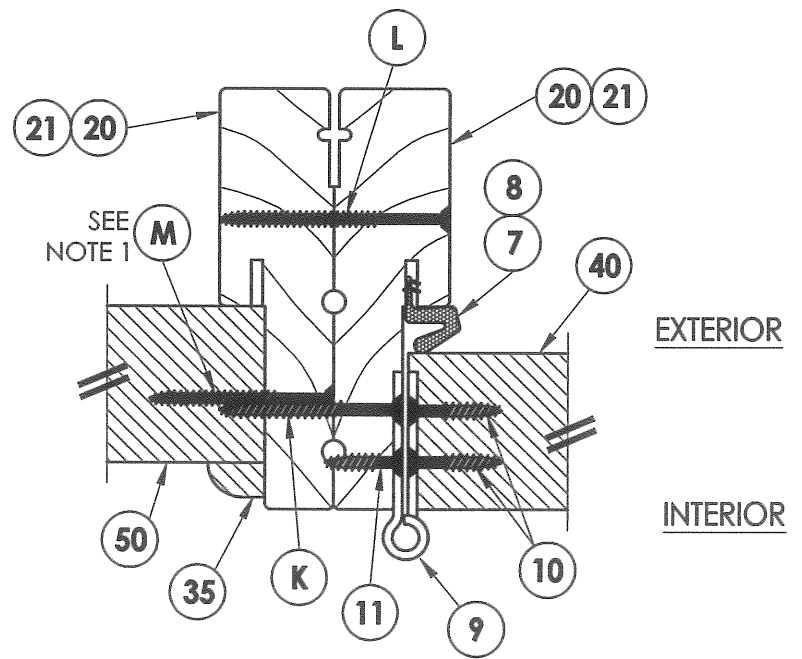
**4** HORIZONTAL CROSS SECTION  
**4** Shown w/1X sub-buck



**2** HORIZONTAL CROSS SECTION  
**4** Outswing configuration



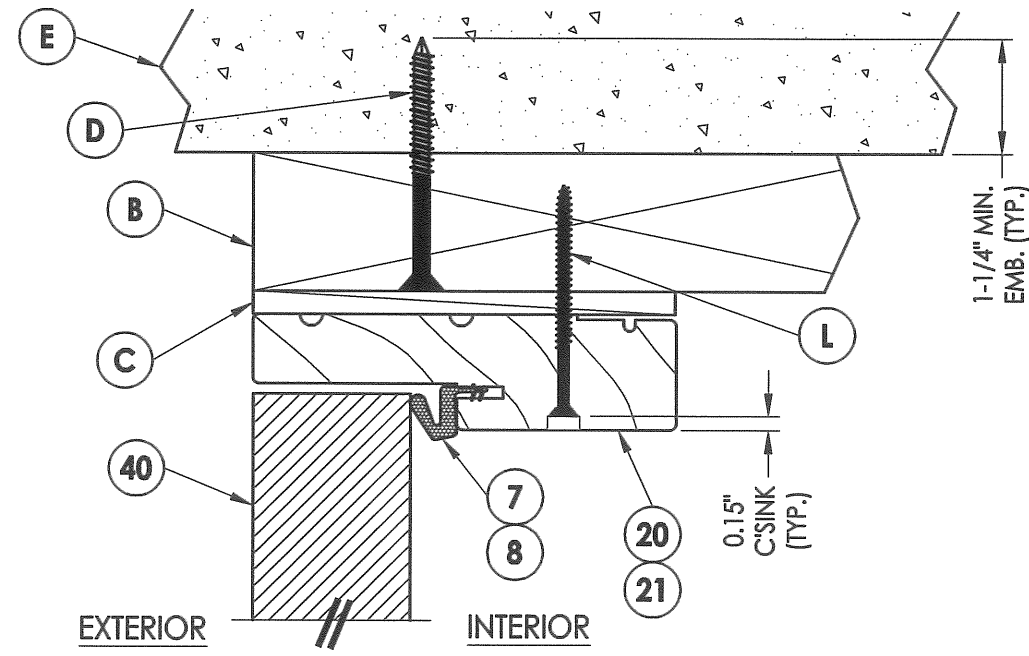
**3** HORIZONTAL CROSS SECTION  
**4** Outswing shown - inswing also approved



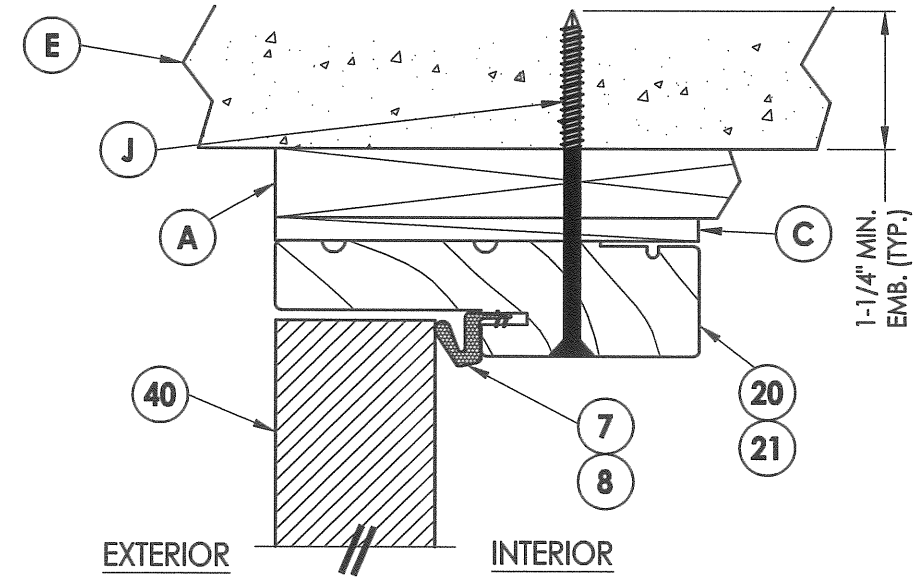
**5** HORIZONTAL CROSS SECTION  
**4** Inswing configuration

Documents Prepared By:		BUILDING CONSULTANTS, INC. P.O. Box 230 Valrico FL 33595 Phone No.: 813.659.9197 Florida Board of Professional Engineers Certificate Of Authorization No. 9813 <i>LFS</i> 2-17-12 Lyndon F. Schmidt, P.E. No. 43409	
PRODUCT:	PLASTPRO INC. FIBERGLASS DOOR	HORIZONTAL CROSS SECTIONS	
PART OR ASSEMBLY:		NO.	DATE
		BY	
		REVISIONS	
DATE: 02/16/12			
SCALE: N.T.S.			
DWG. BY: JK			
CHK. BY: LFS			
DRAWING NO.: FL-15213.13			
SHEET 4 OF 11			

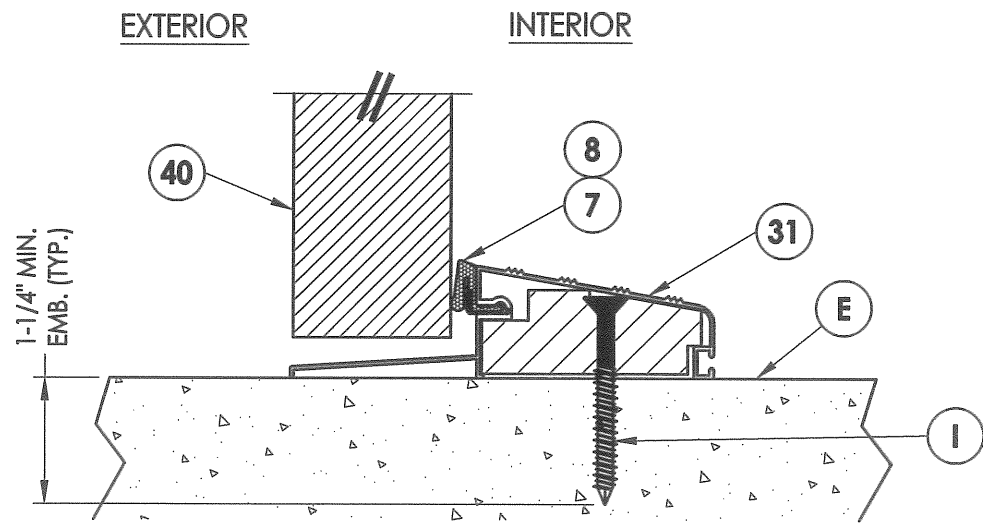
R:\A - Projects\Project Folders\proj 1501 - 1600\PF 1587\D. RWBC Drawings\2010\FL-15213.12-18.dwg, 5.13



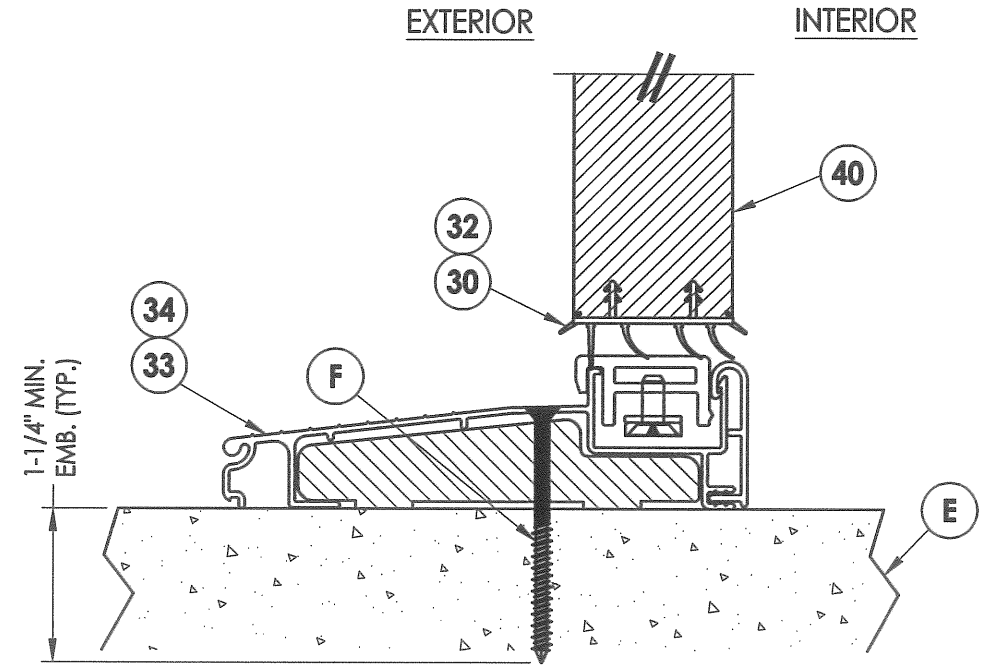
**1 VERTICAL CROSS SECTION**  
**5** Outswing shown - inswing also approved



**2 VERTICAL CROSS SECTION**  
**5** Shown w/1X sub-buck



**3 VERTICAL CROSS SECTION**  
**5** Outswing configuration



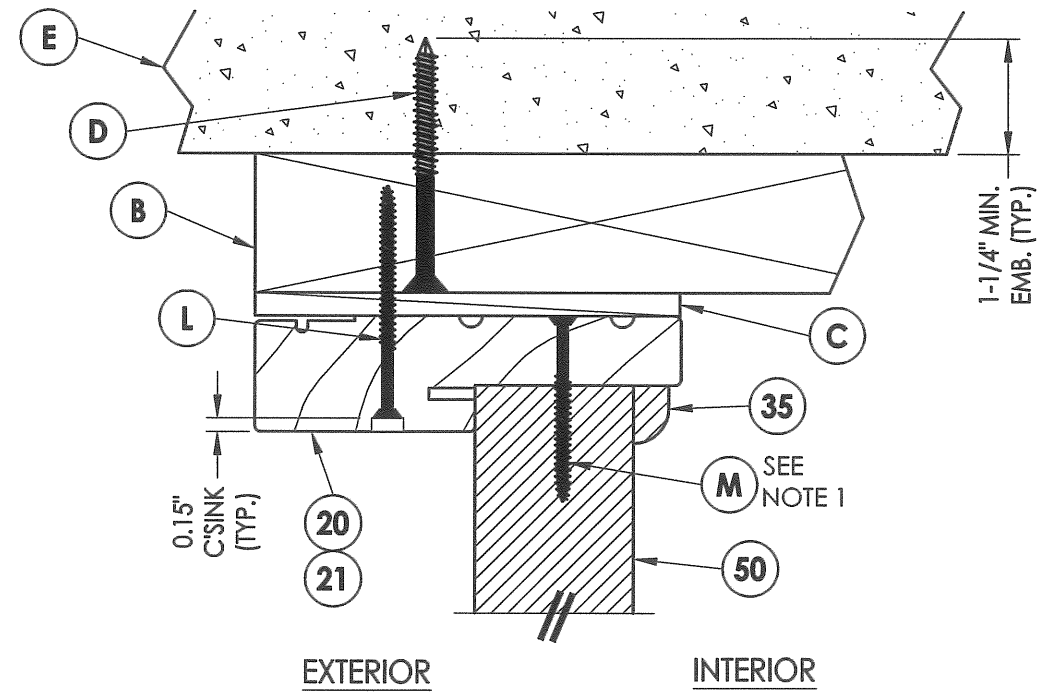
**4 VERTICAL CROSS SECTION**  
**5** Inswing configuration

Documents Prepared By:  
**RW** BUILDING CONSULTANTS, INC.  
 P.O. Box 230 Valrico FL 33595  
 Phone No.: 813.659.9197  
 Florida Board of Professional Engineers  
 Certificate Of Authorization No. 9813  
 Lyndon F. Schmidt, P.E. No. 43409

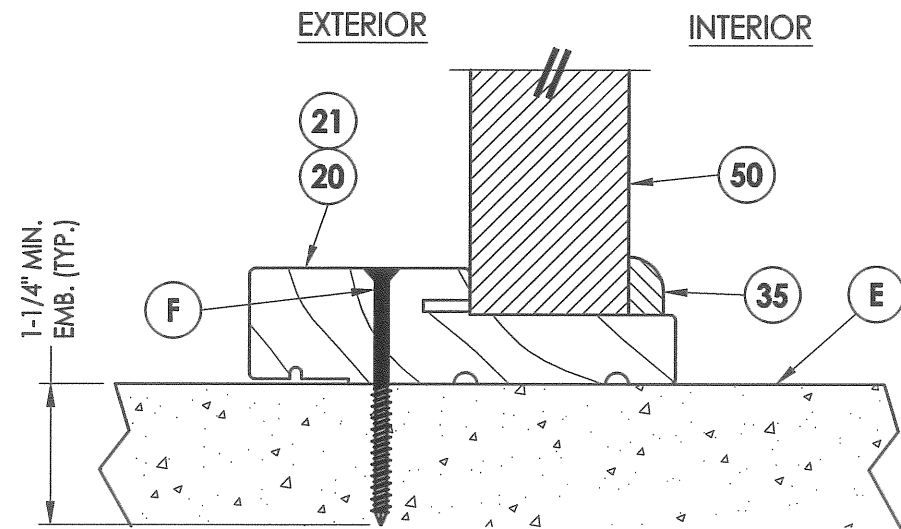
PRODUCT:  
 PLASTPRO INC.  
 FIBERGLASS DOOR  
 PART OR ASSEMBLY:  
 VERTICAL CROSS SECTIONS

NO.	DATE	BY	REVISIONS

DATE: 02/16/12  
 SCALE: N.T.S.  
 DWG. BY: JK  
 CHK. BY: LFS  
 DRAWING NO.: FL-15213.13  
 SHEET 5 OF 11

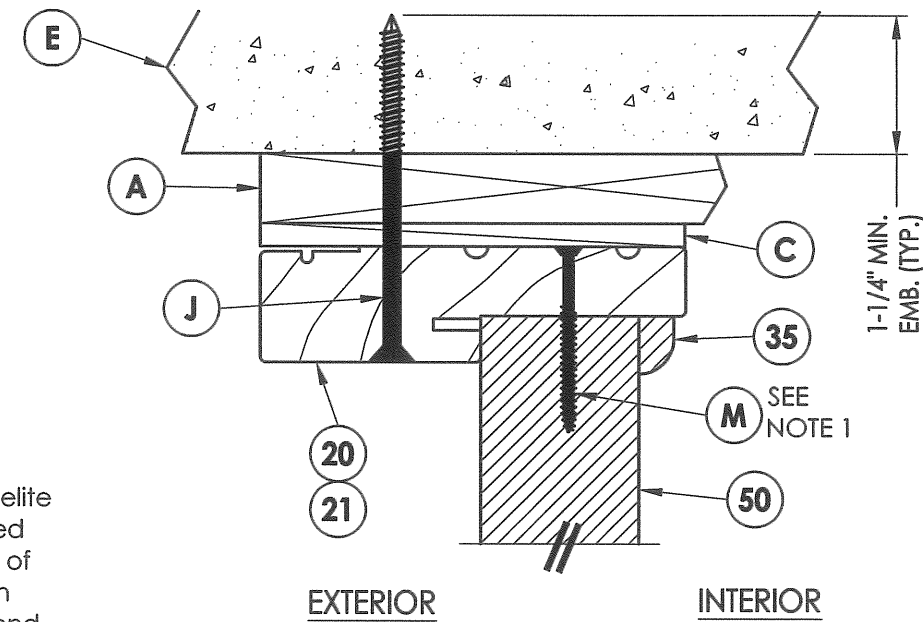


**1 VERTICAL CROSS SECTION**  
 6 Outswing shown - inswing also approved

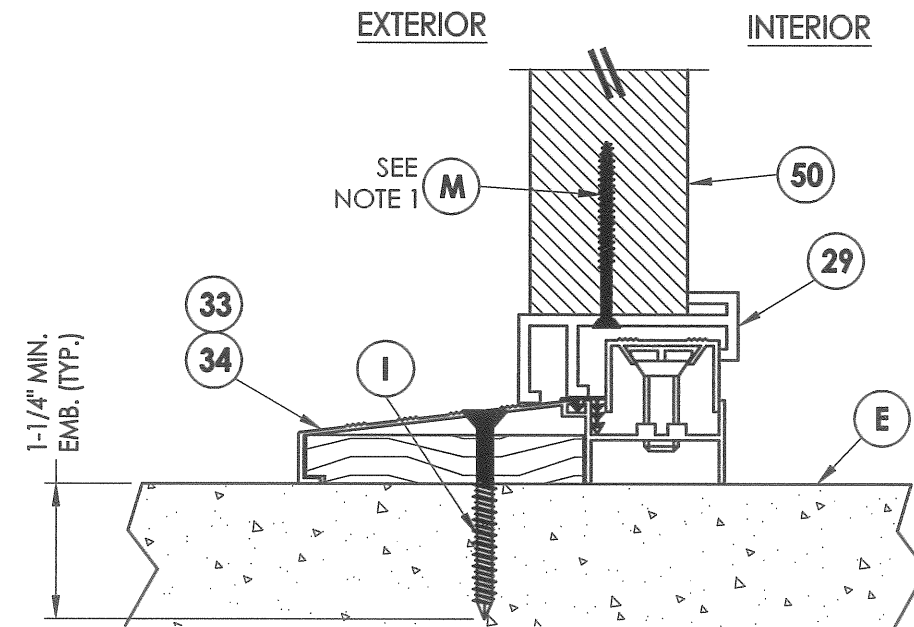


**3 VERTICAL CROSS SECTION**  
 6 Outswing shown - inswing also approved

NOTE:  
 1. Sidelite panel secured to the sidelite frame with (4) of item #M located 10", 30.5", 51" and 71.5" from top of each jamb and (2) of item #M in the head and sill, 3" from each end



**2 VERTICAL CROSS SECTION**  
 6 Shown w/1X sub-buck



**4 VERTICAL CROSS SECTION**  
 6 Inswing configuration

Documents Prepared By:

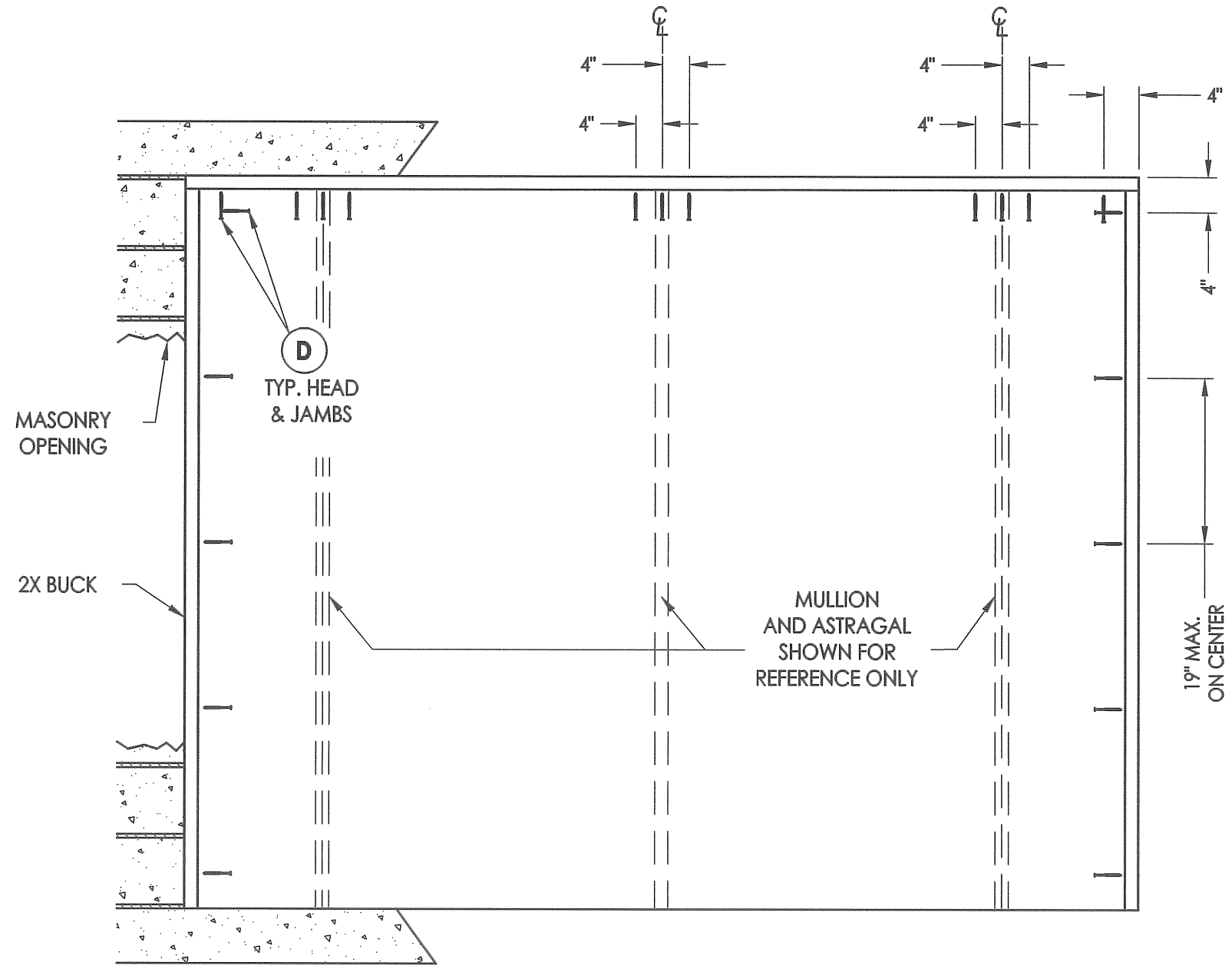
**RW** BUILDING CONSULTANTS, INC.  
 P.O. Box 230 Vairico FL 33595  
 Phone No.: 813.659.9197  
 Florida Board of Professional Engineers  
 Certificate of Authorization No. 9813  
 Lyndon F. Schmidt, P.E. No. 43409

PRODUCT:  
 PLASTPRO INC.  
 FIBERGLASS DOOR

PART OR ASSEMBLY:  
 VERTICAL CROSS SECTIONS

NO.	DATE	BY	REVISIONS

DATE: 02/16/12  
 SCALE: N.T.S.  
 DWG. BY: JK  
 CHK. BY: LFS  
 DRAWING NO.: FL-15213.13  
 SHEET 6 OF 11



**BUCK ANCHORING**

**CONCRETE ANCHOR NOTES:**

1. Substitution of equal concrete anchors from a different supplier may have different edge distance and center distance requirements.
2. Concrete anchor locations at the corners may be adjusted to maintain the min. edge distance to mortar joints. If concrete anchor locations noted as "MAX. ON CENTER" must be adjusted to maintain the min. edge distance to mortar joints, additional concrete anchors may be required to ensure the "MAX. ON CENTER" dimensions are not exceeded.
3. Concrete anchor table:

ANCHOR TYPE	ANCHOR SIZE	MIN. EMBEDMENT	MIN. CLEARANCE TO MASONRY EDGE	MIN. CLEARANCE TO ADJACENT ANCHOR
ITW	1/4"	1-1/4"	2-1/2"	3"
ELCO	1/4"	1-1/4"	1"	4"

Documents Prepared By:

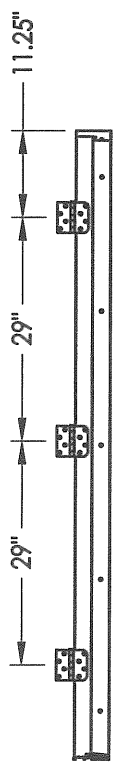
**RW** BUILDING CONSULTANTS, INC.  
 P.O. Box 230 Vairco FL 33595  
 Phone No.: 813.659.9197  
 Florida Board of Professional Engineers  
 Certificate Of Authorization No. 9813  
 Lyndon F. Schmidt, P.E. No. 43409

PRODUCT: PLASTPRO INC. FIBERGLASS DOOR  
 PART OR ASSEMBLY: BUCK ANCHORING

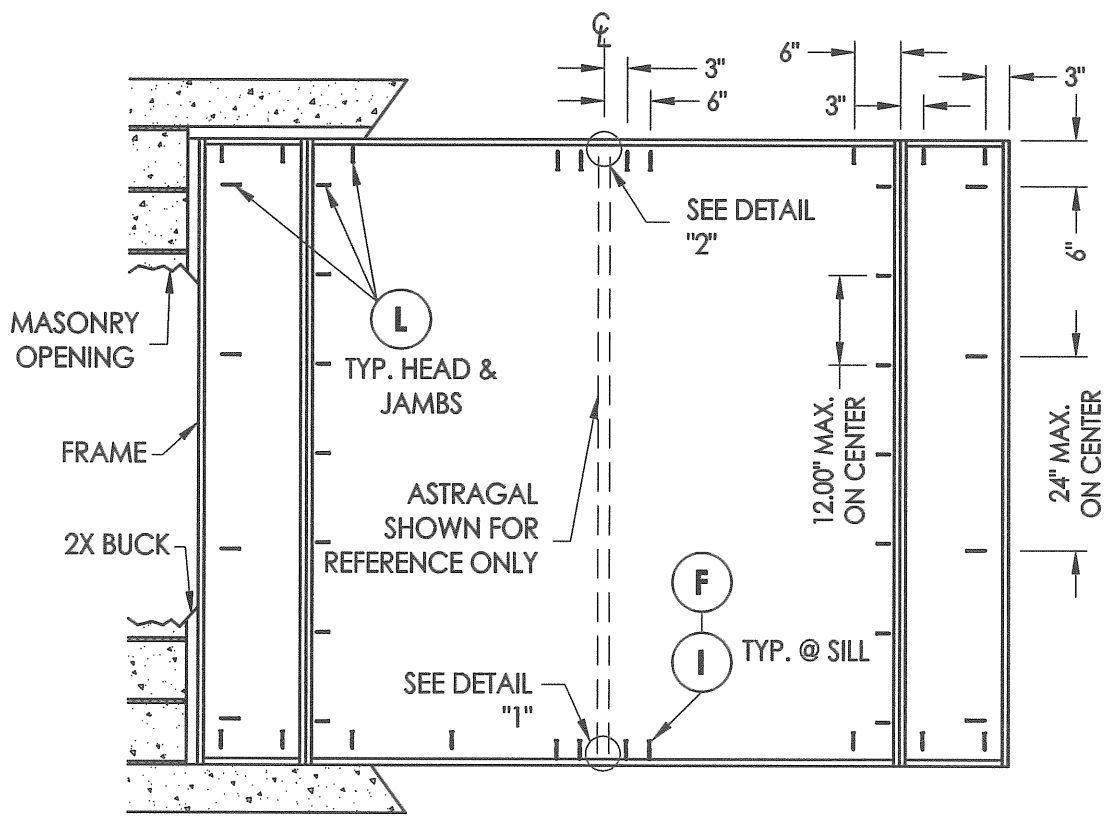
NO.	DATE	BY	REVISIONS

DATE: 02/16/12  
 SCALE: N.T.S.  
 DWG. BY: JK  
 CHK. BY: LFS  
 DRAWING NO.: FL-15213.13  
 SHEET 7 OF 11

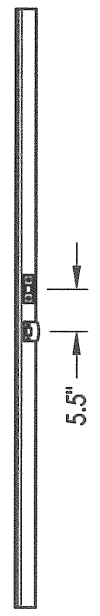
R:\A - Projects\Project Folders\proj 1501 - 1600\PF 1587\D. RWBC Drawings\2010\FL-15213.12-18.dwg, 8.13



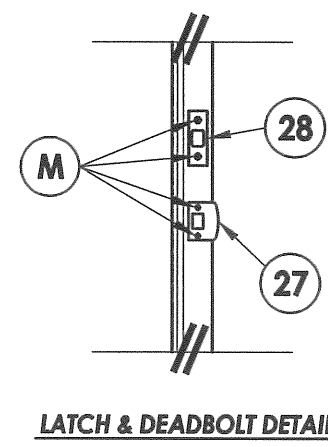
**HINGE JAMB**



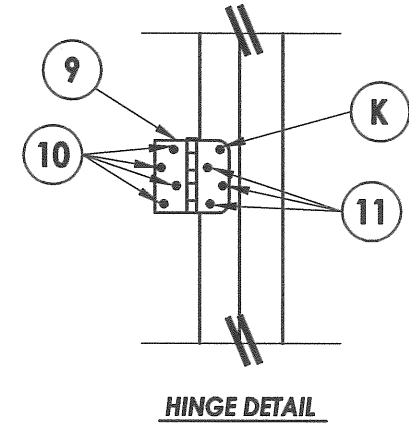
**FRAME ANCHORING**  
Masonry 2X buck construction



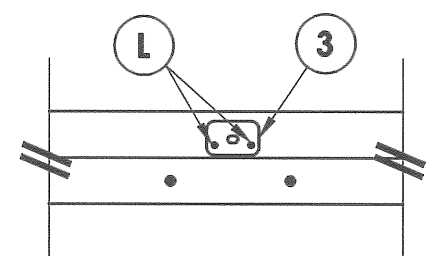
**ASTRAGAL STRIKE JAMB**



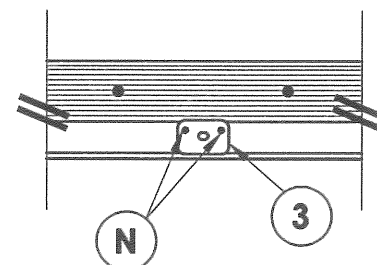
**LATCH & DEADBOLT DETAIL**



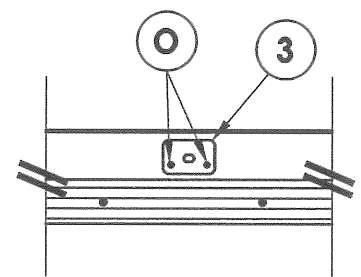
**HINGE DETAIL**



**DETAIL 2**



**DETAIL 1**  
Inswing configuration



**DETAIL 1**  
Outswing configuration

**CONCRETE ANCHOR NOTES:**

1. Substitution of equal concrete anchors from a different supplier may have different edge distance and center distance requirements.
2. Concrete anchor locations at the corners may be adjusted to maintain the min. edge distance to mortar joints. If concrete anchor locations noted as "MAX. ON CENTER" must be adjusted to maintain the min. edge distance to mortar joints, additional concrete anchors may be required to ensure the "MAX. ON CENTER" dimensions are not exceeded.
3. Concrete anchor table:

ANCHOR TYPE	ANCHOR SIZE	MIN. EMBEDMENT	MIN. CLEARANCE TO MASONRY EDGE	MIN. CLEARANCE TO ADJACENT ANCHOR
ITW	1/4"	1-1/4"	2-1/2"	3"
ITW	3/16"	1-1/4"	2-5/8"	2-1/4"

Documents Prepared By: **RW BUILDING CONSULTANTS, INC.**  
 P.O. Box 230 Vairico FL 33595  
 Phone No.: 813.659.9197  
 Florida Board of Professional Engineers  
 Certificate Of Authorization No. 9813  
 Lyndon F. Schmidt, P.E. No. 43409

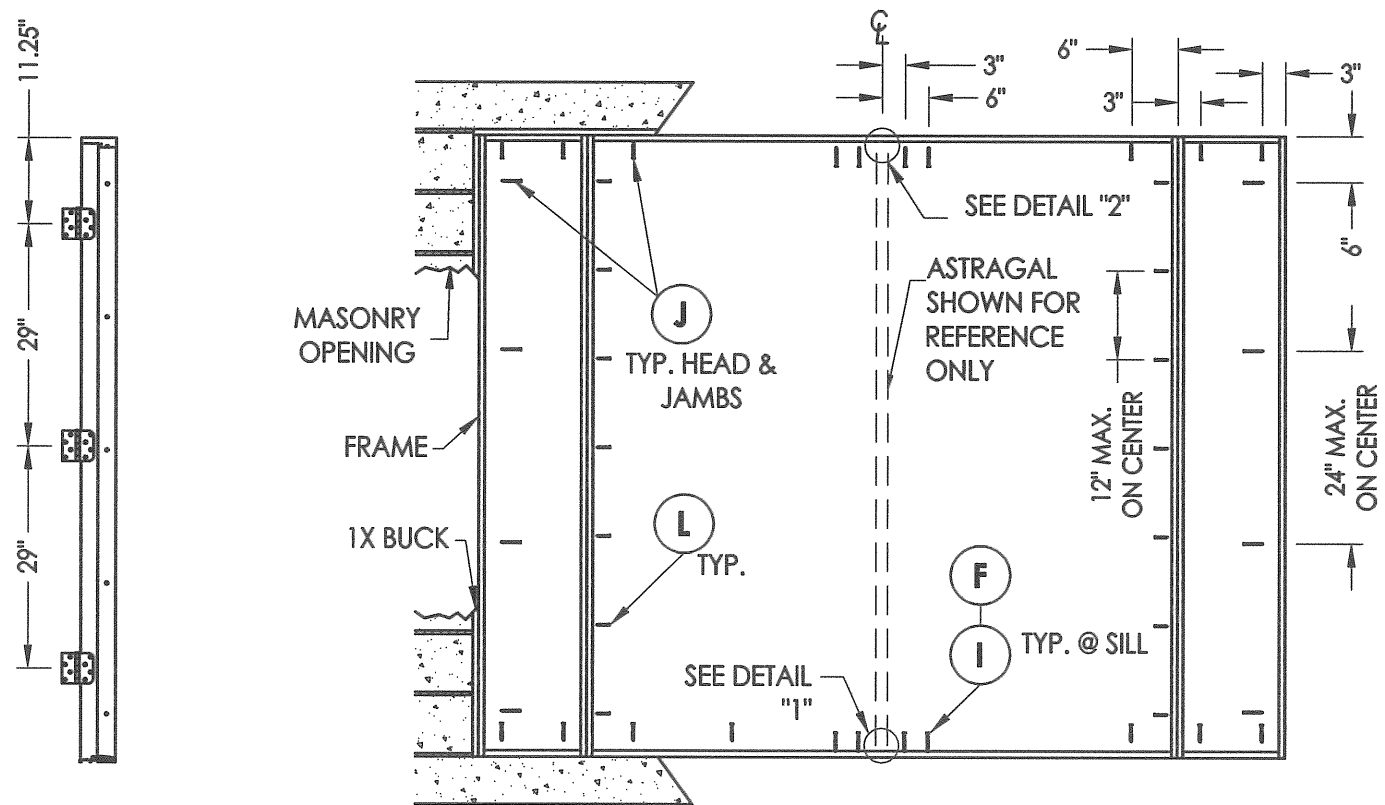
PRODUCT: **PLASTPRO INC. FIBERGLASS DOOR**  
 PART OR ASSEMBLY: **FRAME ANCHORING 2X BUCK MASONRY CONSTRUCTION**

NO.	DATE	BY	REVISIONS

DATE: 02/16/12  
 SCALE: N.T.S.  
 DWG. BY: JK  
 CHK. BY: LFS  
 DRAWING NO.: FL-15213.13  
 SHEET 8 OF 11

© 2012 R.W. BUILDING CONSULTANTS INC.

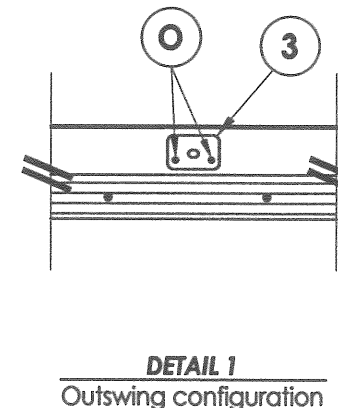
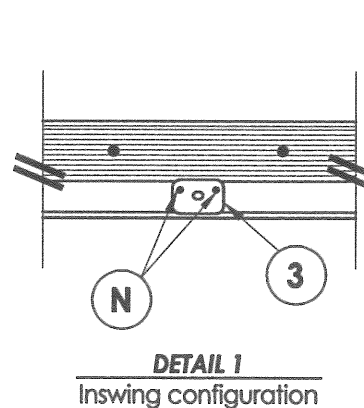
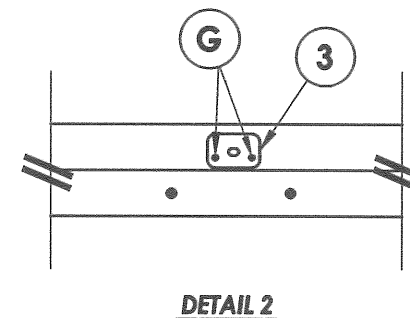
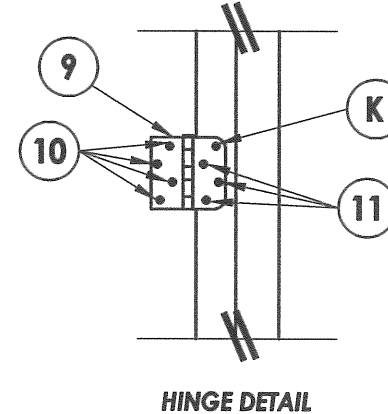
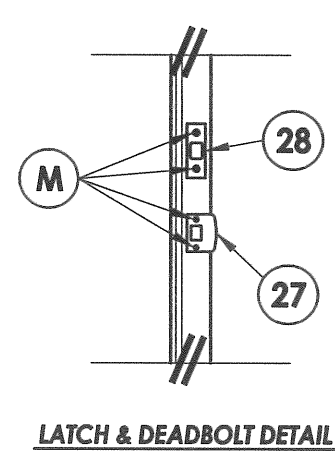




**HINGE JAMB**

**FRAME ANCHORING**  
Masonry 1X buck construction

**ASTRAGAL STRIKE JAMB**



**CONCRETE ANCHOR NOTES:**

1. Substitution of equal concrete anchors from a different supplier may have different edge distance and center distance requirements.
2. Concrete anchor locations at the corners may be adjusted to maintain the min. edge distance to mortar joints. If concrete anchor locations noted as "MAX. ON CENTER" must be adjusted to maintain the min. edge distance to mortar joints, additional concrete anchors may be required to ensure the "MAX. ON CENTER" dimensions are not exceeded.
3. Concrete anchor table:

ANCHOR TYPE	ANCHOR SIZE	MIN. EMBEDMENT	MIN. CLEARANCE TO MASONRY EDGE	MIN. CLEARANCE TO ADJACENT ANCHOR
ITW	1/4"	1-1/4"	2-1/2"	3"
ITW	3/16"	1-1/4"	2-5/8"	2-1/4"

Documents Prepared By:

**RW** BUILDING CONSULTANTS, INC.  
P.O. Box 230 Valrico FL 33595  
Phone No.: 813.659.9197  
Florida Board of Professional Engineers  
Certificate of Authorization No. 9813  
2-17-12  
Lyndon F. Schmidt, P.E. No. 43409

PRODUCT: PLASTPRO INC. FIBERGLASS DOOR  
PART OR ASSEMBLY: FRAME ANCHORING 1X BUCK MASONRY CONSTRUCTION

NO.	DATE	BY	REVISIONS

DATE: 02/16/12

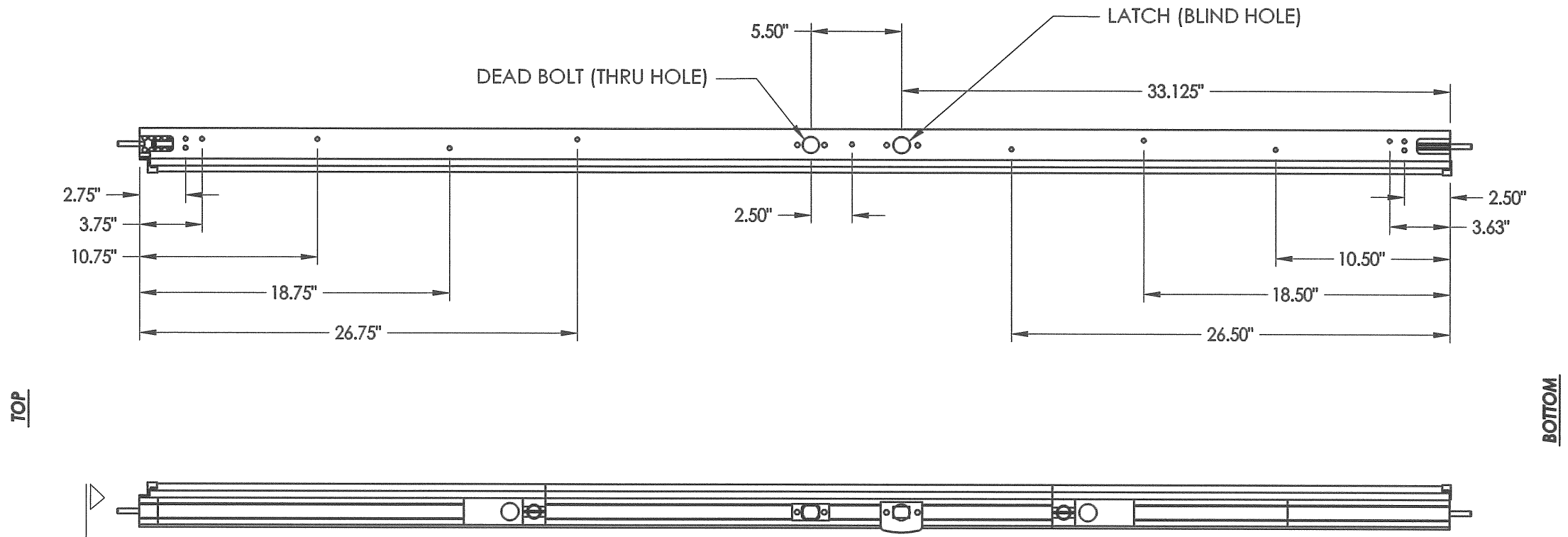
SCALE: N.T.S.

DWG. BY: JK

CHK. BY: LFS

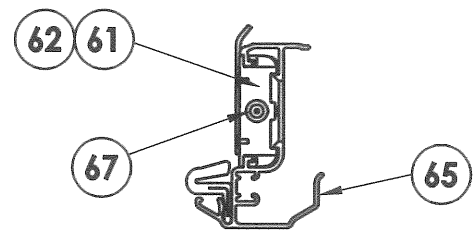
DRAWING NO.: FL-15213.13

SHEET 9 of 11

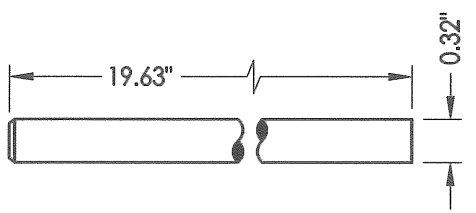


**6'8 ALUMINUM ASTRAGAL ASSEMBLY**  
By Endura Product

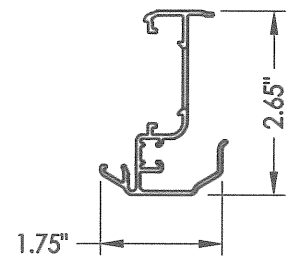
A-A



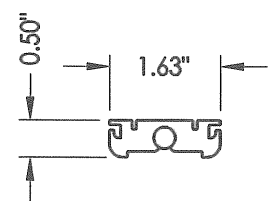
**VIEW A-A**  
Aluminum Astragal Assembly



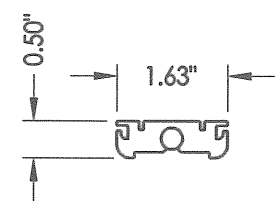
**67 SLIDE BOLT ROD**  
MATL: Steel



**65 ALUMINUM ASTRAGAL**  
By Endura Product



**62 TOP BOLT RETAINER**  
MATL: 9-3/4\"/>



**61 TOP BOLT RETAINER**  
MATL: 4-3/4\"/>

Documents Prepared By:  
**RW** BUILDING CONSULTANTS, INC.  
P.O. Box 230 Valrico FL 33595  
Phone No.: 813.659.9197  
Florida Board of Professional Engineers  
Certificate Of Authorization No. 9813  
*LFS 2-07-12*  
Lyndon F. Schmidt, P.E. No. 43409

PRODUCT:  
PLASTPRO INC.  
FIBERGLASS DOOR  
PART OR ASSEMBLY:  
ENDURA ASTRAGAL DETAILS

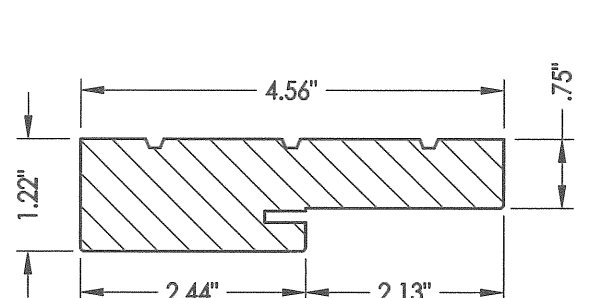
NO.	DATE	BY	REVISIONS

DATE: 9/4/08  
SCALE: N.T.S.  
DWG. BY: JK  
CHK. BY: LFS  
DRAWING NO.: FL-15213.13  
SHEET 10 OF 11

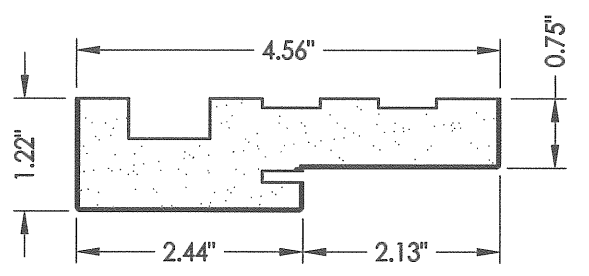
R:\A - Projects\Project Folders\proj 1501 - 1600\PF 1587D - RWBC Drawings\2010\FL-15213.12-18.dwg, 11.13

**BILL OF MATERIALS**

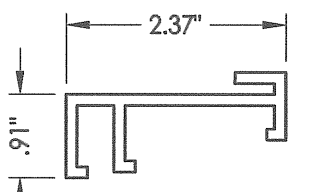
ITEM	DESCRIPTION	MATERIAL	ITEM	DESCRIPTION	MATERIAL
A	1X BUCK SG >= 0.55	WOOD	27	LATCH STRIKE PLATE	STEEL
B	2X BUCK SG >= 0.55	WOOD	28	DEADBOLT STRIKE PLATE	STEEL
C	1/4" MAX. SHIM SPACE	-	29	SIDELITE SPACER	PVC
D	1/4" X 2-3/4" PFH ELCO OR ITW CONCRETE SCREW	STEEL	30	WEATHER-STOP 3647 HOLM INDUSTRIES	VINYL
E	MASONRY - 3,192 PSI MIN. CONCRETE CONFORMING TO ACI 301 OR HOLLOW BLOCK CONFORMING TO ASTM C90	CONCRETE	31	OUTSWING BUMP THRESHOLD	ALUM. / WOOD
F	1/4" X 2-3/4" PFH ITW CONCRETE SCREW	STEEL	32	VINYL DOOR BOTTOM SWEEP #3628 BY HOLM IND.	PVC
G	3/16" X 3-1/4" PFH ITW CONCRETE SCREW	STEEL	33	INSWING ADJUSTABLE THRESHOLD BY ENDURA	ALUM. / WOOD
I	1/4" X 2-1/4" PFH ITW CONCRETE SCREW	STEEL	34	INSWING ADJUSTABLE ALUMINUM THRESHOLD BY DLP	ALUM. / WOOD
J	1/4" X 3-3/4" PFH ITW CONCRETE SCREW	STEEL	35	SHOE MOULD 5/8" X 3/8"	WOOD
K	#10 X 2" PFH WOOD SCREW	STEEL	38	GLAZING SPACER	ALUM.
L	#10 X 2-1/2" PFH WOOD SCREW	STEEL	40	DOOR PANEL - SEE DOOR PANEL DETAIL SHEET FOR CONSTRUCTION DETAILS	-
M	#8 X 2" PFH WOOD SCREW	STEEL	41	DOOR SKIN (MIN. 0.075" THICK)	FIBERGLASS
N	3/16" X 3-1/2" PFH ITW CONCRETE SCREW	STEEL	42	TOP RAIL	CELLULAR PVC
O	3/16" X 1-1/2" PFH ITW CONCRETE SCREW	STEEL	43	LATCH & HINGE STILE	CELLULAR PVC
1	#10 X 2-1/2" PFH SMS	STEEL	44	LOCK REINFORCEMENT	WOOD
2	#8 X 3" PSH SMS	STEEL	45	BOTTOM RAIL	CELLULAR PVC
3	FLUSH BOLT STRIKE PLATE	STEEL	46	POLYURETHANE FOAM BY NAN YA	POLYURETHANE
7	FORCE 5 WEATHER STRIPPING BY ENDURA	FOAM	47	CONTINUOUS LATCH & HINGE STILE REINFORCEMENT	WOOD
8	COMPRESSION WEATHER STRIP QLON 650 BY SCHLEGEL	FOAM	48	SNAP IN LITE FRAME	ABS
9	4" X 4" BUTT HINGE	STEEL	49	GLAZING COMPOUND DOW 995	SILICONE
10	#9 X 1" PFH WOOD SCREW	STEEL	50	SIDELITE PANEL - SEE SIDELITE PANEL DETAIL SHEET FOR CONSTRUCTION DETAILS	-
11	#9 X 3/4" PFH WOOD SCREW	STEEL	51	SIDELITE TOP & BOTTOM RAIL	CELLULAR PVC
17	KWIKSET KEYED ENTRY - SIGNATURE SERIES	STEEL	61	4-3/4" LENGTH TOP BOLT RETAINER	HDPE
18	KWIKSET DEADBOLT - SIGNATURE SERIES (780)	STEEL	62	9-3/4" LENGTH TOP BOLT RETAINER	ALUMINUM
20	FINGER JOINTED PINE FRAME, HEAD & HINGE JAMBS	WOOD	65	ASTRAGAL BY ENDURA PRODUCTS	ALUMINUM
21	FINGER JOINTED PINE FRAME, HEAD & HINGE JAMBS	COMP. / VINYL	67	SLIDE BOLT ROD	STEEL



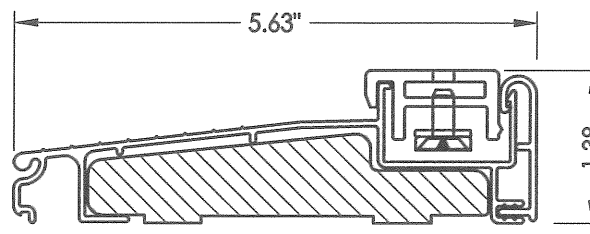
**20 HEAD & SIDE Jamb**



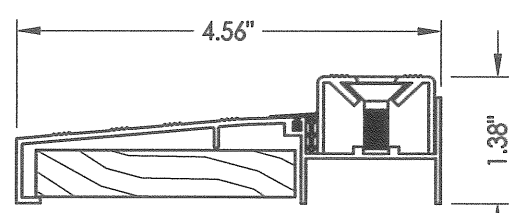
**21 HEAD & SIDE Poly fiber jamb**



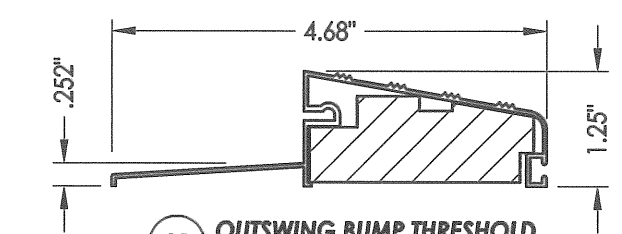
**29 SIDELITE SPACER**



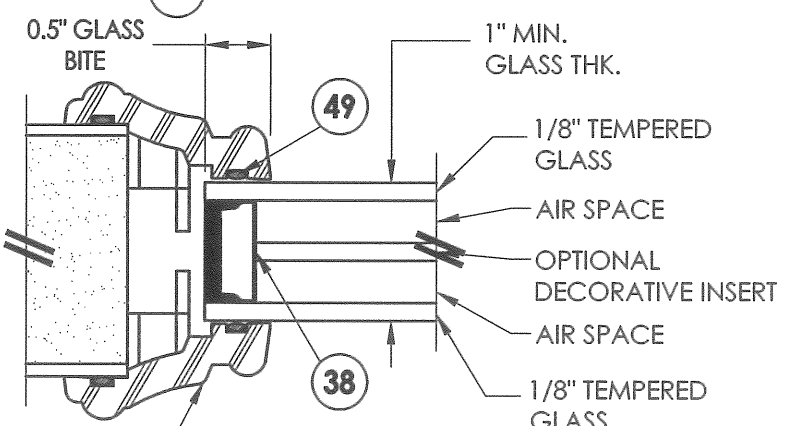
**33 ADJUSTABLE INSWING THRESHOLD**



**34 ADJUSTABLE INSWING THRESHOLD**



**31 OUTSWING BUMP THRESHOLD**



**G1 GLAZING DETAIL**

Documents Prepared By: **RW** BUILDING CONSULTANTS, INC.  
P.O. Box 230 Valrico FL 33595  
Phone No.: 813.659.9197  
Florida Board of Professional Engineers  
Certificate Of Authorization No. 9813  
**CFR 2-17-12**  
Lyndon F. Schmidt, P.E. No. 43409

---

PRODUCT: **PLASTPRO INC. FIBERGLASS DOOR**

PART OR ASSEMBLY: **BILL OF MATERIALS, GLAZING DETAIL & COMPONENTS**

NO.	DATE	BY	REVISIONS

DATE: 9/8/08  
SCALE: N.T.S.  
DWG. BY: JK  
CHK. BY: LFS  
DRAWING NO.: FL-15213.13  
SHEET 11 OF 11

© 2012 R.W. BUILDING CONSULTANTS INC.